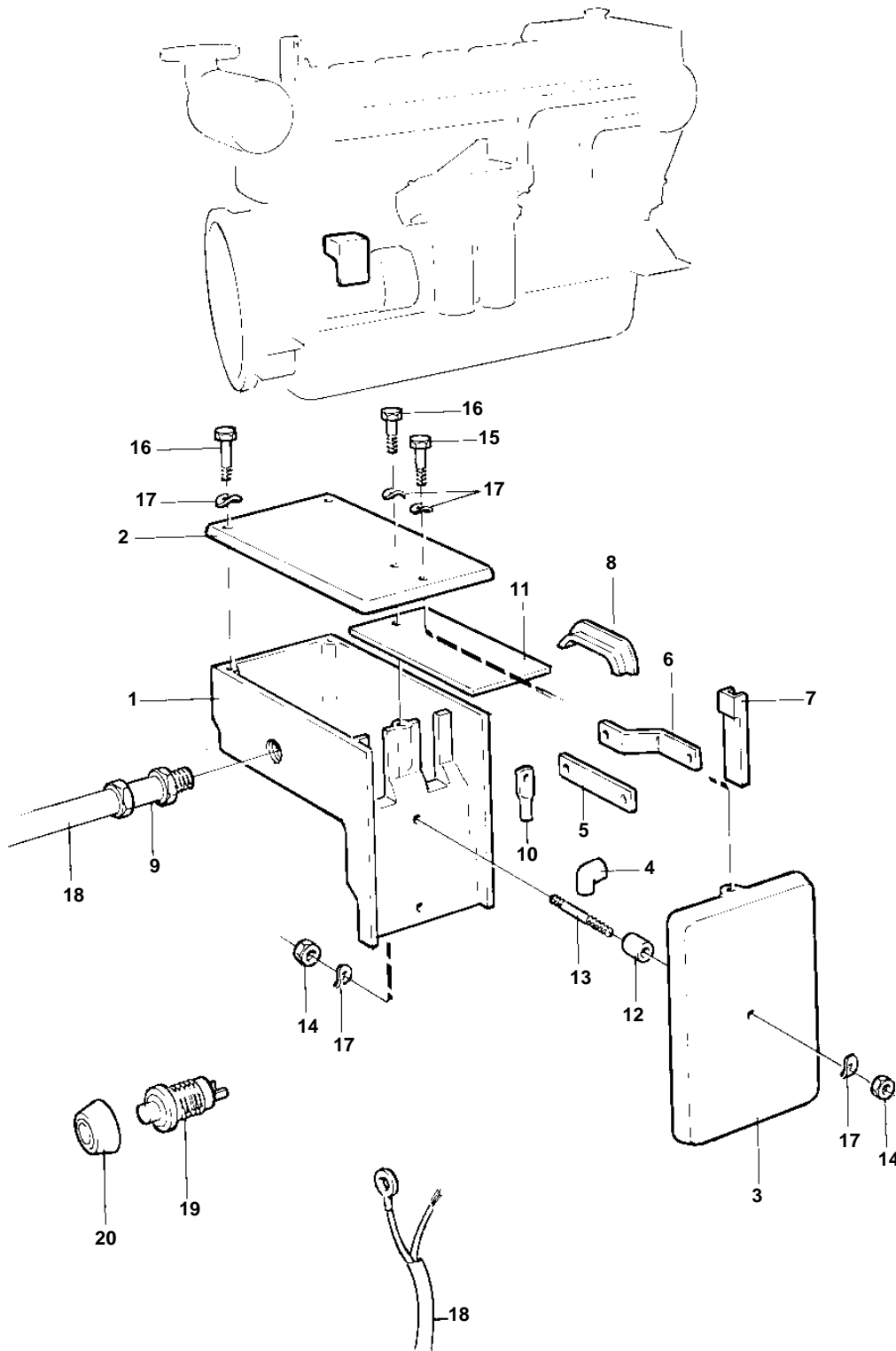


TAMD 71B (AUX)



6514

**TAMD 71B (AUX)**

| REF | PART NO. | QTY | DESCRIPTION          | SEE SEC. | NOTES  |
|-----|----------|-----|----------------------|----------|--------|
| 1   | 846565   | 1   | Electrical distribut |          |        |
| 2   | 837378   | 1   | Cover                |          |        |
| 3   | 837379   | 1   | Cover                |          |        |
| 4   | 847742   | 2   | Clamping sleeve      |          |        |
| 5   | 837483   | 1   | Guide rail           |          |        |
| 6   | 837484   | 1   | Guide rail           |          |        |
| 7   | 837486   | 4   | Housing              |          |        |
| 8   | 837488   | 1   | Sealing strip        |          |        |
| 9   | 881192   | 1   | Cable union          |          |        |
| 10  |          | X   | Electrical materials | 1963     |        |
| 11  | 837558   | 1   | Rubber guard         |          |        |
| 12  | 192618   | X   | Hose                 |          | L=50mm |
| 13  | 946945   | 1   | Stud                 |          |        |
| 14  | 955825   | 2   | Nut                  |          |        |
| 15  | 955513   | 1   | Screw                |          |        |
| 16  | 940117   | 3   | Screw                |          |        |
| 17  | 941906   | 7   | Spring washer        |          |        |
| 18  |          | X   | Electrical materials | 1963     |        |
| 19  | 843684   | 1   | Button               |          |        |
| 20  | 837533   | 1   | Rubber cap           |          |        |